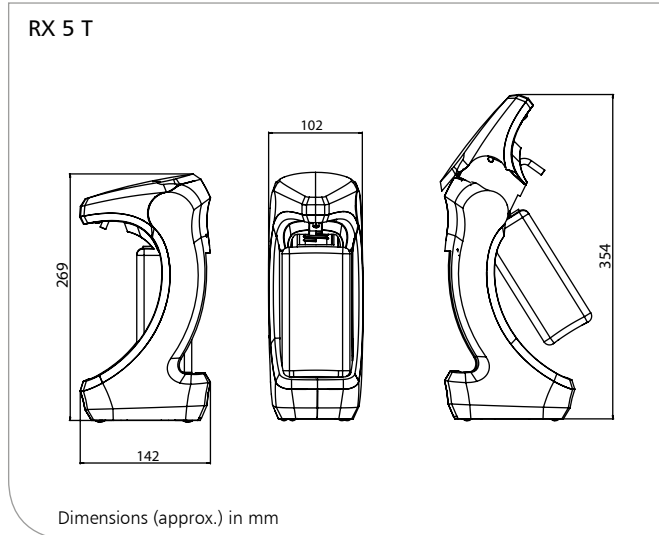


RX 5 T

Soap-/disinfectant dispenser for disposable bottles as well as refillable containers and hygiene package, touchless, plastic, 500 ml, optional with back plate



Product characteristics

- ▶ Dispenser for liquid soaps and alcoholic hand disinfectants, alco-gel and flowable lotions
- ▶ For 500 ml disposable bottles as well as refillable containers and hygiene packages
- ▶ Number of strokes per activation adjustable (1 – 3x)
- ▶ Extensive battery life
- ▶ Hygienic glossy, easy-clean surface
- ▶ For wall mounting or free standing
- ▶ Hygiene stand (Art. No. 1422671) for free installation e.g. in entrance areas optional available

Interesting information

References:

- ▶ Conference centres, exhibitions, airports, train stations, gastronomie, retirement/care homes, hospitals, laboratories, commercial kitchen, food processing, shopping centres, hotels, schools, kindergartens, sports centres, administration facilities

Application examples:

- ▶ Passage areas, entrance areas, washrooms, baths, care and examination rooms, kitchens

Technical data

Housing:	Plastic
Bottle:	Plastic
Dosing pumps:	DHP disposable hygiene pump (made with recyclable plastic) or with long-life plastic pump
Dispensing quantity:	1.0 ml/stroke or 1.5 ml/stroke (depending on version)
Batteries:	4 LR 14
Weight:	with batteries: 0.930 kg, without batteries: 0.653 kg
Back plate:	Plastic, lockable (only included with dispenser for wall mounting)
Mounting:	with 3 screws and wall plugs

Description for tender - see overleaf

Subject to technical modifications.
Tests are required before new filling materials are used!



RX 5 T

Soap-/disinfectant dispenser for disposable bottles as well as refillable containers and hygiene package, touchless, plastic, 500 ml, optional with back plate



Description for tender

RX 5 T DHP (Tabletop device with 1.5 ml/stroke) **Art. No. 4402146**

... Pcs. Soap-/disinfectant dispenser, suitable for alco-gel and flowable lotions, 500 ml, touchless operating, suitable for standard disposable bottles, refillable containers and hygiene packages, (conforming with the latest hygiene regulations and standards), housing made of robust plastic, white, free standing tabletop device, incl. 4 Alkaline "type C" batteries, easy replacement of disposable hygiene pump through front removal, dosage 1.5 ml, number of strokes per activation adjustable (1 – 3x) Dimensions: W 102 x H 269 x D 142 mm

RX 5 T (Tabletop device with 1.5 ml/stroke) **Art. No. 4401117**

... Pcs. Soap-/disinfectant dispenser, suitable for alco-gel and flowable lotions, 500 ml, touchless operating, suitable for standard disposable bottles, refillable containers and hygiene packages, (conforming with the latest hygiene regulations and standards), housing made of robust plastic, white, free standing tabletop device, incl. empty bottle and 4 Alkaline "type C" batteries, easy replacement of long-life plastic pump through front removal, dosage 1.5 ml, number of strokes per activation adjustable (1 – 3x) Dimensions: W 102 x H 269 x D 142 mm

RX 5 T DHP (Tabletop device with 1.0 ml/stroke) **Art. No. 4402144**

... Pcs. Soap-/disinfectant dispenser, suitable for alco-gel and flowable lotions, 500 ml, touchless operating, suitable for standard disposable bottles, refillable containers and hygiene packages, (conforming with the latest hygiene regulations and standards), housing made of robust plastic, white, free standing tabletop device, incl. 4 Alkaline "type C" batteries, easy replacement of disposable hygiene pump through front removal, dosage 1.0 ml, number of strokes per activation adjustable (1 – 3x) Dimensions: W 102 x H 269 x D 142 mm

RX 5 T (Tabletop device with 1.0 ml/stroke) **Art. No. 4401736**

... Pcs. Soap-/disinfectant dispenser, suitable for alco-gel and flowable lotions, 500 ml, touchless operating, suitable for standard disposable bottles, refillable containers and hygiene packages, (conforming with the latest hygiene regulations and standards), housing made of robust plastic, white, free standing tabletop device, incl. empty bottle and 4 Alkaline "type C" batteries, easy replacement of long-life plastic pump through front removal, dosage 1.0 ml, number of strokes per activation adjustable (1 – 3x) Dimensions: W 102 x H 269 x D 142 mm

RX 5 T DHP (for wall mounting with 1.5 ml/stroke) **Art. No. 4402147**

... Pcs. Soap-/disinfectant dispenser, suitable for alco-gel and flowable lotions, 500 ml, touchless operating, suitable for standard disposable bottles, refillable containers and hygiene packages, (conforming with the latest hygiene regulations and standards), housing made of robust plastic, white, back plate with lockable adapter, incl. 4 Alkaline "type C" batteries, easy replacement of disposable hygiene pump through front removal, dosage 1.5 ml, number of strokes per activation adjustable (1 – 3x) Dimensions: W 102 x H 269 x D 158 mm

RX 5 T (for wall mounting with 1.5 ml/stroke) **Art. No. 4401528**

... Pcs. Soap-/disinfectant dispenser, suitable for alco-gel and flowable lotions, 500 ml, touchless operating, suitable for standard disposable bottles, refillable containers and hygiene packages, (conforming with the latest hygiene regulations and standards), housing made of robust plastic, white, back plate with lockable adapter, incl. empty bottle and 4 Alkaline "type C" batteries, easy replacement of long-life plastic pump through front removal, dosage 1.5 ml, number of strokes per activation adjustable (1 – 3x) Dimensions: W 102 x H 269 x D 158 mm

RX 5 T DHP (for wall mounting with 1.0 ml/stroke) **Art. No. 4402145**

... Pcs. Soap-/disinfectant dispenser, suitable for alco-gel and flowable lotions, 500 ml, touchless operating, suitable for standard disposable bottles, refillable containers and hygiene packages, (conforming with the latest hygiene regulations and standards), housing made of robust plastic, white, back plate with lockable adapter, incl. 4 Alkaline "type C" batteries, easy replacement of disposable hygiene pump through front removal, dosage 1.0 ml, number of strokes per activation adjustable (1 – 3x) Dimensions: W 102 x H 269 x D 158 mm

RX 5 T (for wall mounting with 1.0 ml/stroke) **Art. No. 4401764**

... Pcs. Soap-/disinfectant dispenser, suitable for alco-gel and flowable lotions, 500 ml, touchless operating, suitable for standard disposable bottles, refillable containers and hygiene packages, (conforming with the latest hygiene regulations and standards), housing made of robust plastic, white, back plate with lockable adapter, incl. empty bottle and 4 Alkaline "type C" batteries, easy replacement of long-life plastic pump through front removal, dosage 1.0 ml, number of strokes per activation adjustable (1 – 3x) Dimensions: W 102 x H 269 x D 158 mm

Product:
Manufacturer:

RX
OPHARDT HYGIENE-TECHNIK GmbH + Co. KG